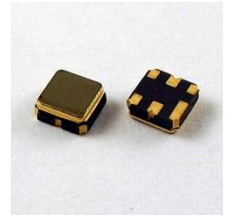


- Low-loss RF SAW filter for mobile systems
- Low amplitude ripple
- No matching network required for operation at 50Ω
- Ceramic package for Surface Mounted Technology (SMT)
- Lead-free production and RoHS compliant



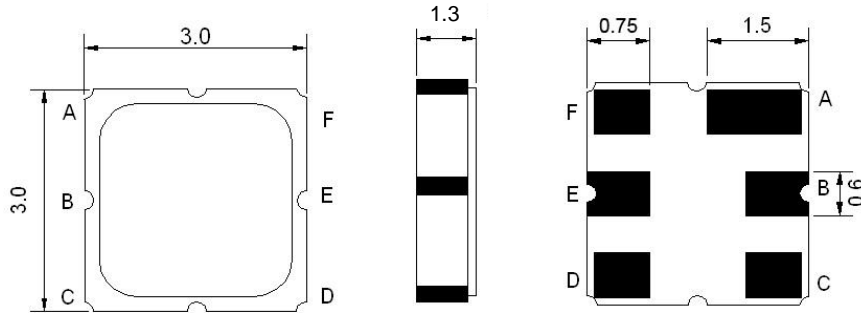
Electrical Characteristics

MAXIMUM RATING				
PARAMETERS DESCRIPTION	UNIT	MINIMUM	TYPICAL	MAXIMUM
Operating Temperature Range	°C	-40	-	+85
Storage Temperature Range	°C	-40	-	+85
Maximum DC Voltage	V _{DC}	-	-	5
Maximum Input Power Level	dBm	-	-	20
Source Impedance	Ω	-	50	-
Load Impedance	Ω	-	50	-
Length x Width	mm ²	-	3.0 x 3.0	-
Height	mm	-	-	1.3

ELECTRICAL SPECIFICATION				
PARAMETERS DESCRIPTION	UNIT	MINIMUM	TYPICAL	MAXIMUM
Center Frequency (Fo)	MHz	-	1747.5	-
Insertion Loss @ 1710.00 ~ 1765.00MHz	dB		2.5**	4.0*
Insertion Loss @ 1765.00 ~ 1785.00MHz			2.5**	4.0***
Amplitude Ripple (p-p) @ 1710.00 ~ 1785.00MHz	dB		1.5**	3.0***
Group Delay Ripple @ 1710.00 ~ 1785.00MHz	nS		18	40
Absolute Attenuation:				
DC~ 960.00 MHz	dB	20	25	
960.00 ~ 1690.00 MHz	dB	20	25	
1690.00 ~ 1693.00 MHz	dB	15***	32**	
1802.00 ~ 1805.00 MHz	dB	15*	32**	
1805.00 ~ 1880.00 MHz	dB	28	34	
1880.00 ~ 3200.00 MHz	dB	25	31	
1880.00 ~ 3200.00 MHz	dB	4	28	
Input / Output VSWR @ 1710.00 ~ 1785.00MHz				2.2:1

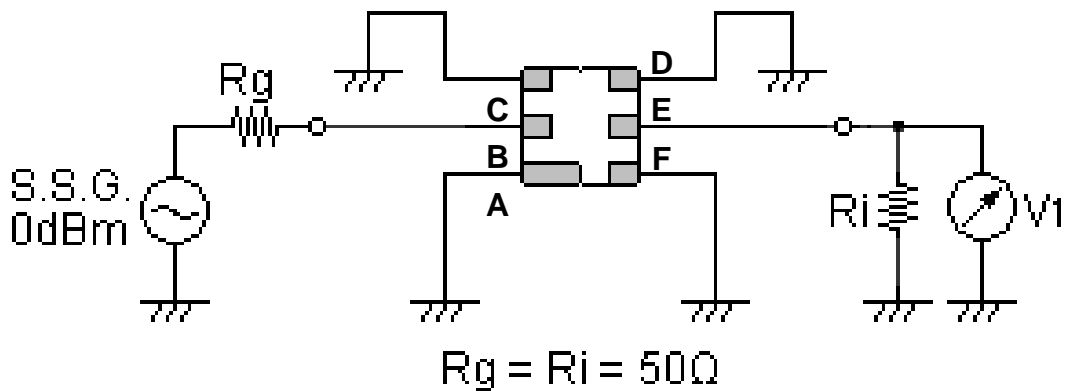
* : -40°C ** : +25°C *** : +85°C

Package Dimensions

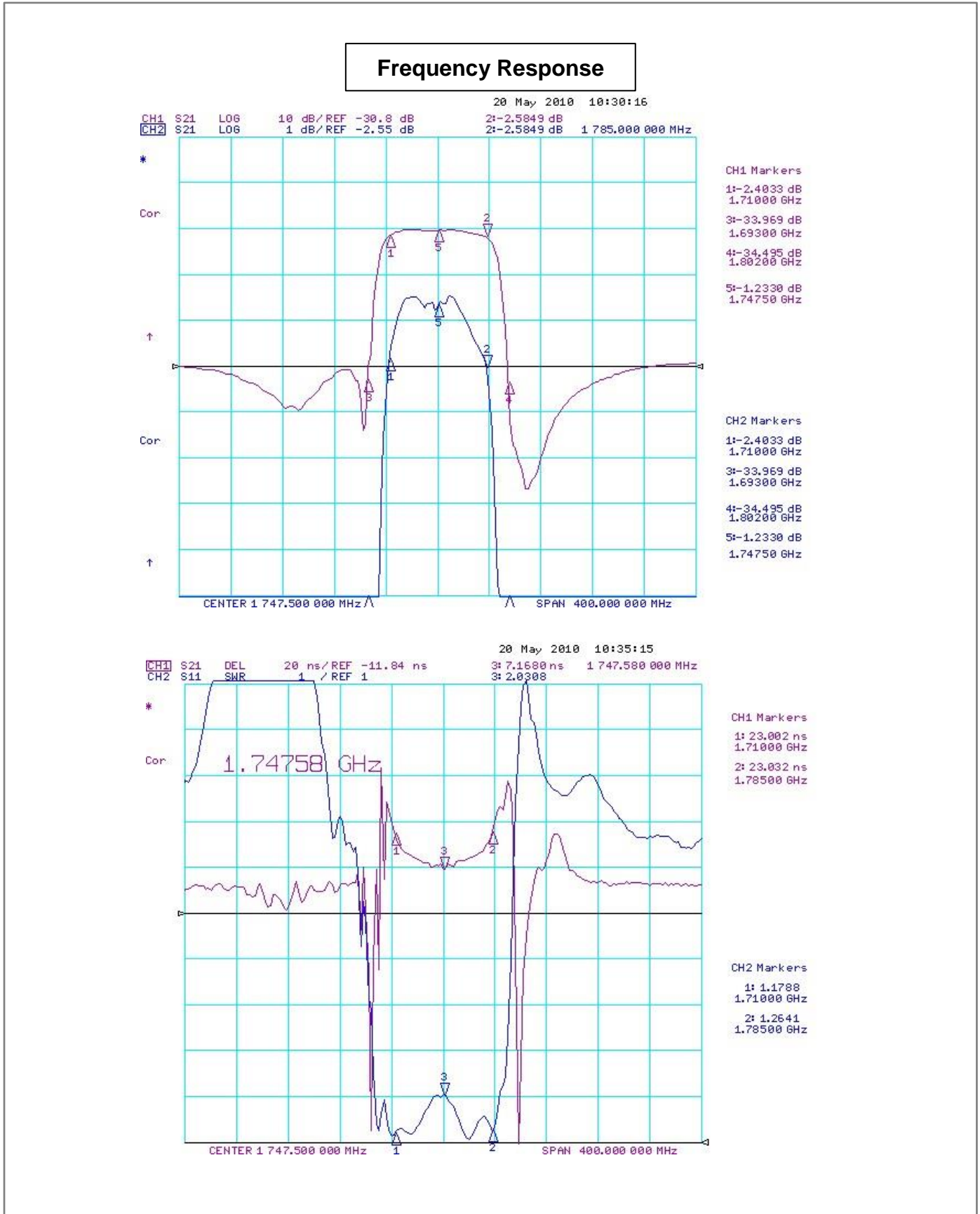


Pin Description	
B	Input
E	Output
A, C, D, F	Ground

Testing Environment



Frequency Characteristics



Frequency Response

